



KITCHEN EQUIPMENT

SERVING THE FOOD INDUSTRY SINCE 1951

30 QT HEAVY-DUTY GENERAL PURPOSE MIXER WITH GUARD AND TIMER

Item: 44388 Model: MX-CN-0030



PERFECT SOLUTION TO MEET YOUR MIXING NEEDS

Boasting a powerful 2000 Watts motor, Omcan's 30-QT heavy-duty general purpose mixer with guard and timer has a 3-speed, gear-driven transmission making it easy to mix ingredients nice and easy.



WARRANTY
PARTS AND LABOR




NEMA
5 - 15
125 VAC / 15 AMP
RECEPTACLE

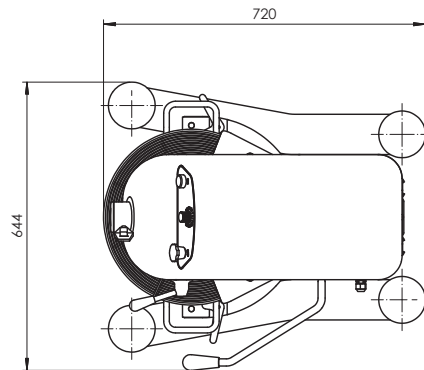
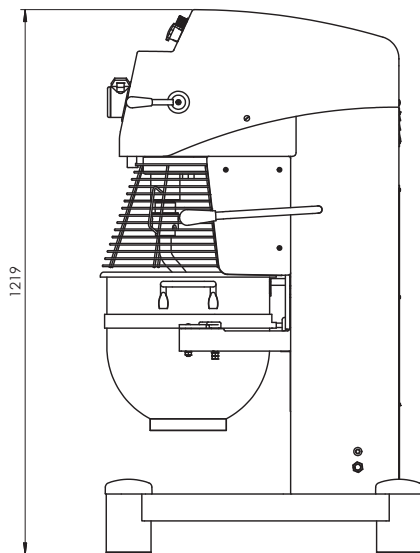


Authorized Dealer

TECHNICAL SPECIFICATIONS

ITEM NUMBER	44388	
MODEL	MX-CN-0030	
POWER	2000 W	
SHAFT RPM	351 206 112	
1ST SPEED 2ND SPEED 3RD SPEED		
CAPACITY	30 QT / 7.5 Gal	
ELECTRICAL	110V / 60Hz / 1Ph	
DIMENSIONS (DWH)	28.3" x 25.4" x 48" 720 x 644 x 1219 mm	
NET WEIGHT	385.8 lbs. / 175 kg.	
PACKAGING DIMENSIONS	31.1" x 28.1" x 54.3" 791 x 716 x 1379 mm	
PACKAGING WEIGHT	471.7 lbs. / 214 kg.	

TECHNICAL DRAWINGS WITH DETAILED DIMENSIONS



OMCAN INC.

Telephone: 1-800-465-0234
 Fax: (905) 607-0234
 Email: sales@omcan.com
 Website: www.omcan.com



Follow us to keep up to date with the latest news and offers

